

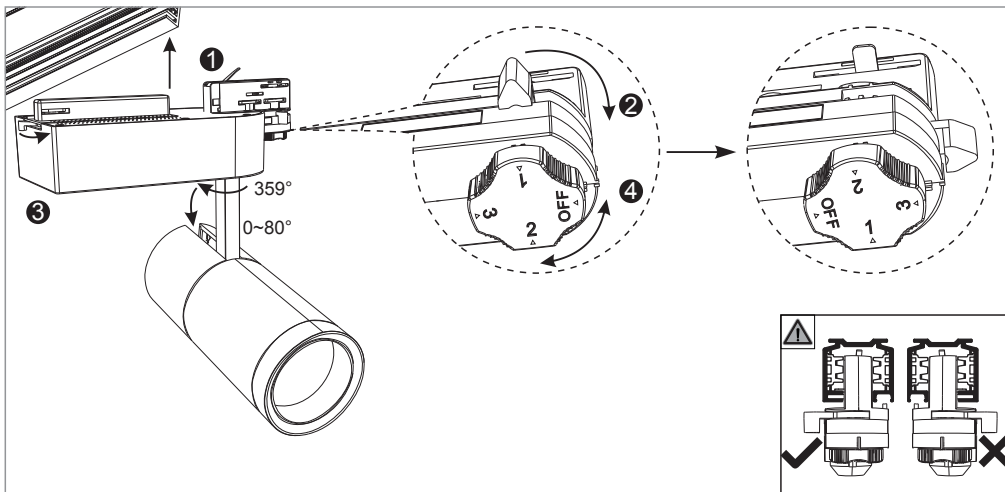
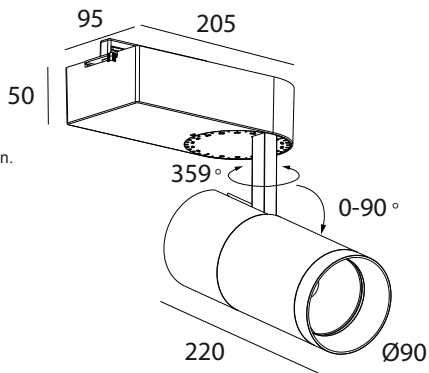
Please read this information carefully before commencing installation, retain this document for future reference.
The product must not be modified. If any modification is made it may/will void the warranty and may render the product unsafe. All electrical installations must be carried out by a competent and qualified electrical tradesperson. Wiring must meet all relevant codes and/or standards.

IMPORTANT SAFETY NOTES

1. Switch off and isolate all mains electrical power before commencing installation or lamp change.
2. Connect to a AC220-240v supply in accordance with all relevant state and national codes and standards.
3. Ensure all connections are tight
4. Ensure no fire regulations are breached with the installation of this product.
5. Ensure this product is mated to SeerLED Track products for safe operation.

WARNING

1. For indoor use only
2. Please ensure all packaging is disposed of in a safe environment.
3. If any part of the product seems to have a defect do not use. Contact SeerLED for rectification.
4. Do not plug light engine into AC240v directly
5. Do not look directly in the LED lamp when on
6. It is highly recommended a qualified electrician be used to install this product.



Accessories

