

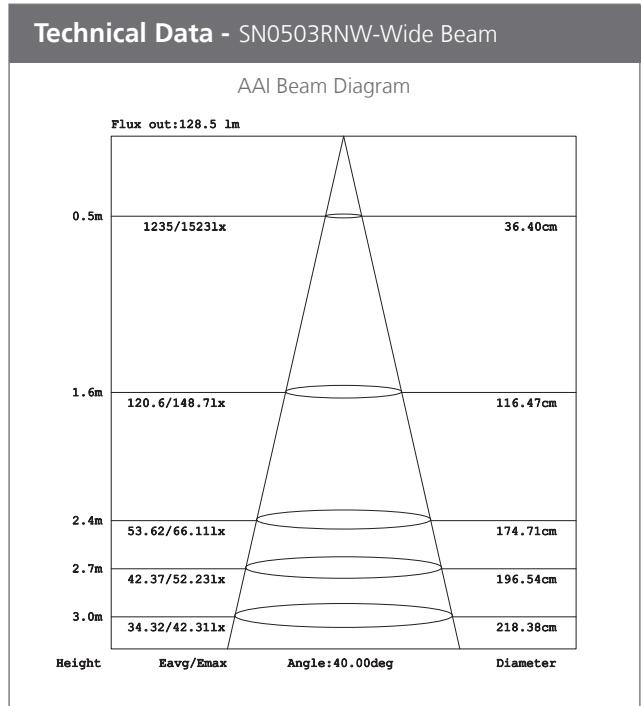
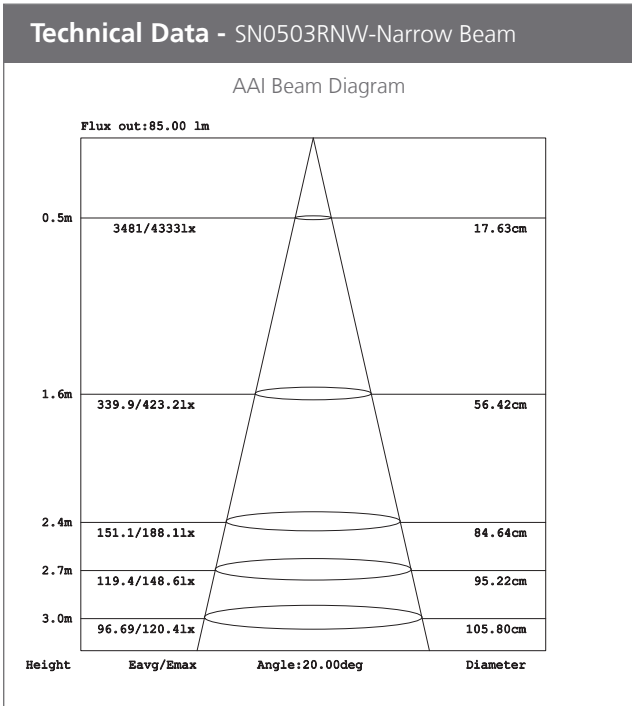
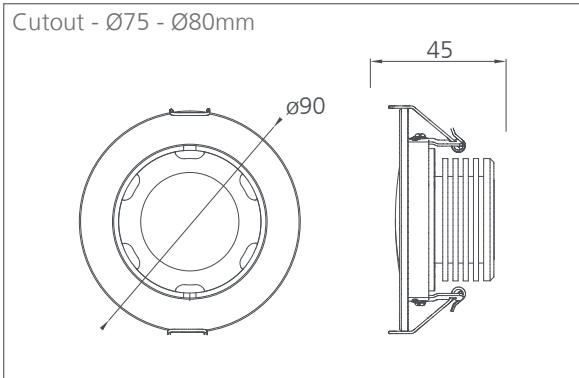


## Nova Downlight - SN0503R

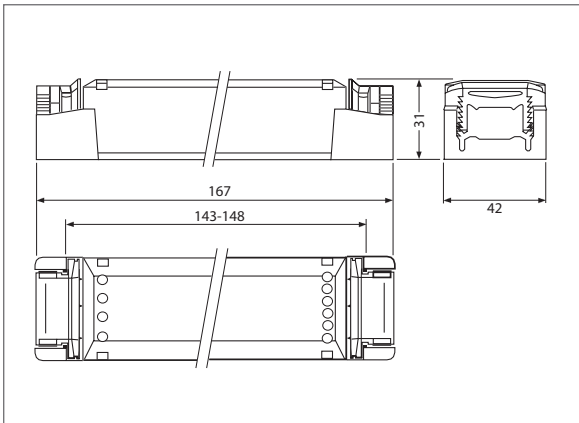
### Luminaire Features

LED Qty	3	
LED Type	Luxeon Rebel 100	
LED Power	1.1w	
CCT	Cool White	5600-6300k
	Neutral White	3700-4300k
	Warm White	2800-3300k
Beam Angle	25° - 40°	
Power Source	DC9.7V	
Rated Current	350mA	
Rated Power	3.3w	
Driven Power	4.5w	
Install Spacing	1.0 - 2.0m	
Operating Temp	-20°C to 50°C	
Product Colour	Silver / Machined Aluminium Matte Black Custom Colours*	

\* Custom anodised housings available on request. Min. order quantity will apply.



Note: SeerLED recommends fitting luminaire and driver in accordance with national / state building regulations and standards



#### Product Description

- 1 Addressable output channel
- 350mA PWM output signal
- Short-circuit protection with automatic restart
- No-load detection with automatic restart
- Intelligent Temperature Guard (protections against thermal damage)
- Power input on standby <1w
- Output Power 15w
- Overload protection with automatic restart
- Strain relief

#### Properties

- SwitchDIM-MEMORY and corridor FUNCTION
- Dimming range 1 to 100%
- Dimming curve adapted to the sensitivity of the eye
- Noise free precise control via DSI signal, switchDIM or DALI
- Powerless switching via digital interface.
- Fault reporting and programmable operating parameters in DALI mode.
- SELV

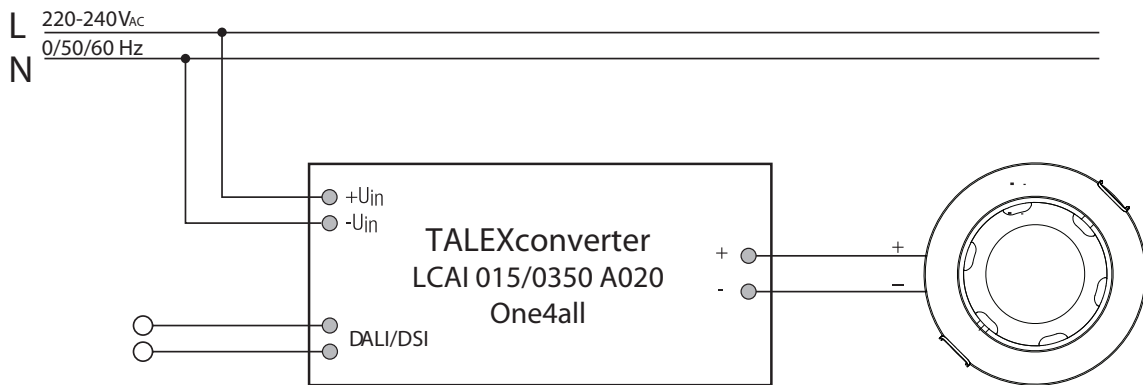
#### DALI / DSI Dimmable Driver Features

LED Driver Model	LCAI 015/0350 A020 one4all
Manufacturer	TRIDONIC
Approval Marks	IP 20     RoHS
Certifications/Standards	EN 50172
	EN 55015
	EN 61000-3-2
	EN 61000-3-3
	EN 61347-1
	EN 61347-2-13
Certifications/Standards	EN 61547
	EN 62384
	EN 62386-207
Rated Supply Voltage	AC220-240v
Input Voltage AC	AC198-264v
Input Voltage DC	DC170-320v
Mains Frequency	0 / 50 / 60Hz
Control Input Dimming	DSI, DALI, SwitchDIM
Standby Power @230v	0.77w
Output Voltage Range	DC9-45v ( $\pm 7.5\%$ )
Output Current	350mA
Output Power	15w
Output Power Range	1-15w (without dimming)
Dimming Range	1-100%
PWM Frequency	400Hz
ta Operating	-25° - +50°C
Weight	0.121kg
Dimensions LxWxH	167 x 42 x 31mm
Hole Spacing	143 - 148mm

Note: All information regarding this driver has been provided by TRIDONIC. For more information regarding dimming control gear and required accessories data visit [www.tridonic.com](http://www.tridonic.com)

Wiring Diagram

DSI/DALI Dimming

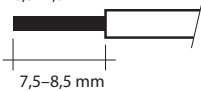


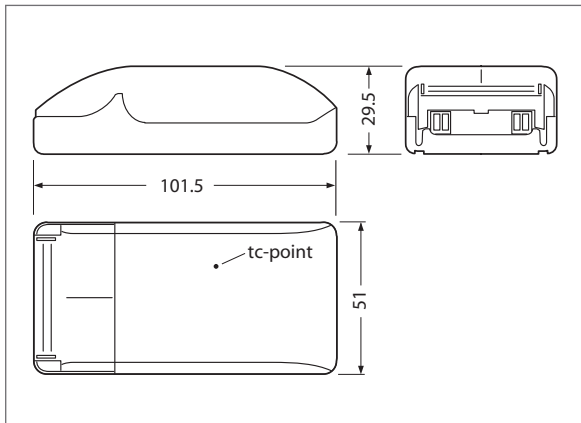
Switch Dimming



Input / Output terminal

wire preparation:  
0,5-2,5 mm<sup>2</sup>





#### Product Description

- 350mA output signal
- Over temperature protection with current back control
- Cage clamp terminals for rigid and flexible wires
- Double assignment of the terminal possible
- Rapid installation of the cable clamp and terminal cover, not tools required
- Output Power 16w
- Protection class 2, SELV
- IP20 protection
- Converters for individual luminaires

#### Properties

- Casing: polycarbonate, black
- Large connection compartment
- Dimming range 20 to 100%
- Control via potentiometer or resistor<sup>(1)</sup>
- Compact dimensions

#### 1-10v Dimmable Driver Features

LED Driver Model	LCCI 015/0350 B020
Manufacturer	TRIDONIC
Approval Marks	IP 20     RoHS
Certifications/Standards	EN 55015
	EN 61000-3-2
	EN 61000-3-3
	EN 61347-1
	EN 61347-2-13
Certifications/Standards	EN 61547
	EN 62384
Rated Supply Voltage	AC220-240v
Input Voltage AC	AC198-264v
Rated Current	0.15A
Mains Frequency	50 / 60Hz
Potentiometer	100kOhm, linear <sup>(1)</sup>
Output Voltage Range	DC3-48v
Output Current	70-350mA
Output Power	16w
Output Power Range	1-16w
ta Operating	-25° - +55°C
Max Casing Temperature	75°C
Weight	0.08kg
Dimensions LxWxH	101.5 x 51 x 29.5mm

*(1) Each converter must be adjusted by a separate potentiometer. It is not allowed to adjust more than one converter by one potentiometer.*

*Note: All information regarding this driver has been provided by TRIDONIC. For more information, or product data visit [www.tridonic.com](http://www.tridonic.com)*



Note: SeerLED Pty Ltd recommends fitting luminaire and driver in accordance with national / state building regulations and AS/NZ3000 standard.

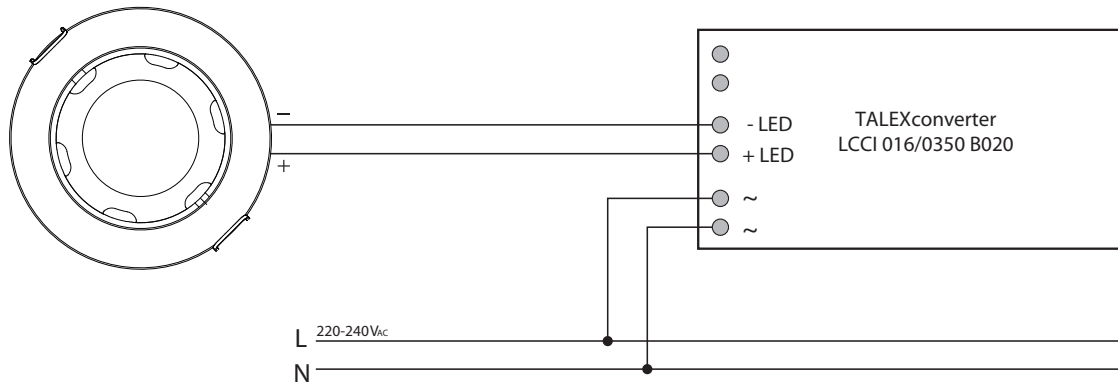
**SeerLED Pty Ltd Australia**

Head Office: PO BOX 3114, Monash Park, NSW, 2111

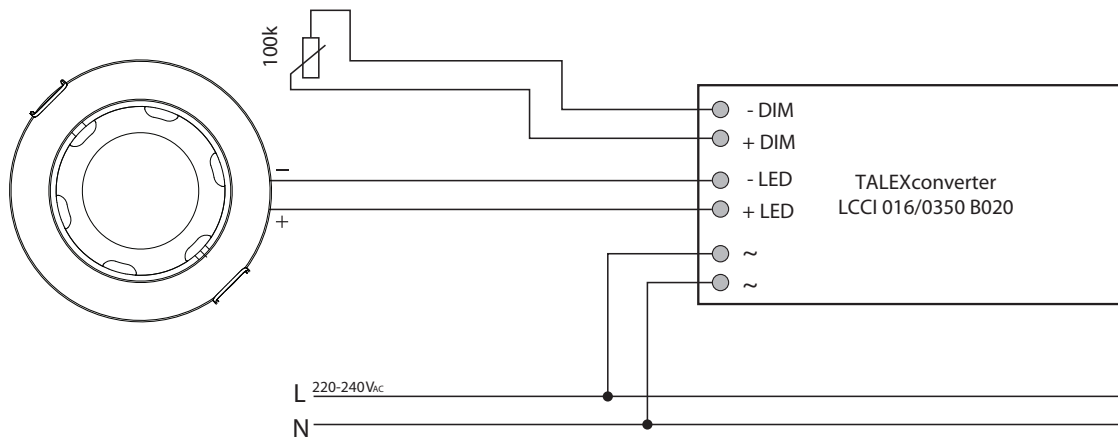
P: 1800 790 923 E: [sales@seerled.com.au](mailto:sales@seerled.com.au) W: [www.seerled.com.au](http://www.seerled.com.au)

## Wiring Diagram

### Non Dimming

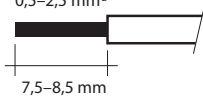


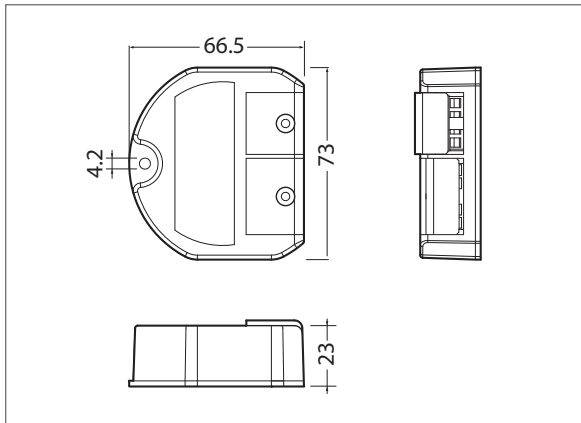
### 1-10v Dimming



#### Input / Output terminal

wire preparation:  
0,5-2,5 mm<sup>2</sup>





**Product Description**

- Constant current converter
- Universal input voltage range
- Constant output current 350mA
- Strain relief
- Screw terminal

**Properties**

- Low power loss
- Over temperature protection
- Overload protection with automatic restart
- Short-circuit shutdown feature with automatic restart
- Protection class 2, SELV
- Type of protection IP20
- Plastic casing white

**Non Dimmable Driver Features**

LED Driver Model	LCI 005/0350 E020
Manufacturer	TRIDONIC
Approval Marks	IP20 SELV  RoHS
Certifications/Standards	EN 55015
	EN 61000-3-2
	EN 61000-3-3
	EN 61347-1
	EN 61347-2-13
	EN 61547
	EN 62384
Rated Supply Voltage	AC120-240v
Input Voltage AC	AC108-264v
Input Voltage DC	DC120-240v
Rated Current @230v	0.08A
Mains Frequency	0 / 50 / 60Hz
Output Voltage Range	DC8-19v
Output Current	350mA ±8%
Output Power	5w
ta Operating	-25° - +50°C
Max Casing Temp	75°C
Weight	0.085kg
Dimensions LxWxH	73 x 67 x 23mm

*Note: All information regarding this driver has been provided by TRIDONIC. For more information regarding dimming control gear and required accessories data visit [www.tridonic.com](http://www.tridonic.com)*



Note: SeerLED Pty Ltd recommends fitting luminaire and driver in accordance with national / state building regulations and AS/NZ3000 standard.

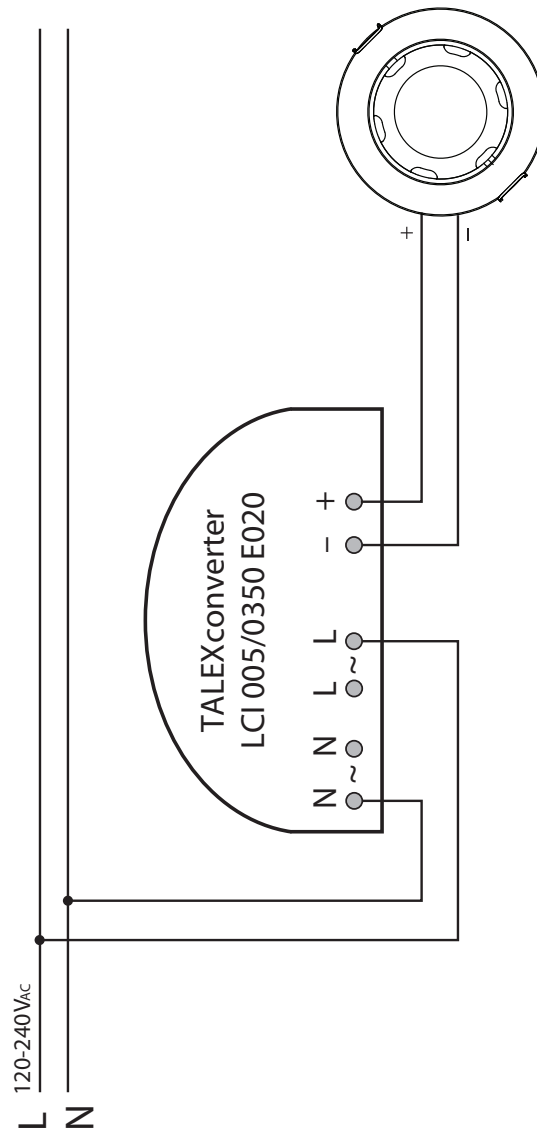
**SeerLED Pty Ltd Australia**

Head Office: PO BOX 3114, Monash Park, NSW, 2111

P: 1800 790 923 E: [sales@seerled.com.au](mailto:sales@seerled.com.au) W: [www.seerled.com.au](http://www.seerled.com.au)

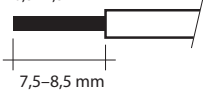
## Wiring Diagram

Non Dimming



Input / Output terminal

wire preparation:  
0,5-2,5 mm<sup>2</sup>






#### Product Description

- Automatic over voltage protection
- Over current protection
- Short circuit protection
- Push button quick connectors
- Polycarbonate housing

#### 1-10v Dimmable Driver Features

LED Driver Model	LPVC11A1C
Manufacturer	HEP
Approval Marks	
Certifications/Standards	EN 61347-1:2001
	EN 61347-2:2006 EN 62384:2006
Input Voltage AC	AC220-264v
Rated Current	0.10A
Mains Frequency	47 - 63Hz
Output Voltage Range	DC3-30v
Output Current	350mA
Output Power	1-11w
Dimming Range	10-100%
ta Operating	-20° - +50°C
Dimensions LxWxH	167 x 38.4 x 29.3mm
Hole Spacing	158.6mm
Compatible Dimmer	Clipsal - 500k Ohm (30POTFM) 1-10v Potentiometre

*Note: All information regarding this driver has been provided by HEP Group. For more information, or product data visit [www.hepgroup.net](http://www.hepgroup.net)*



Note: SeerLED Pty Ltd recommends fitting luminaire and driver in accordance with national / state building regulations and AS/NZ3000 standard.

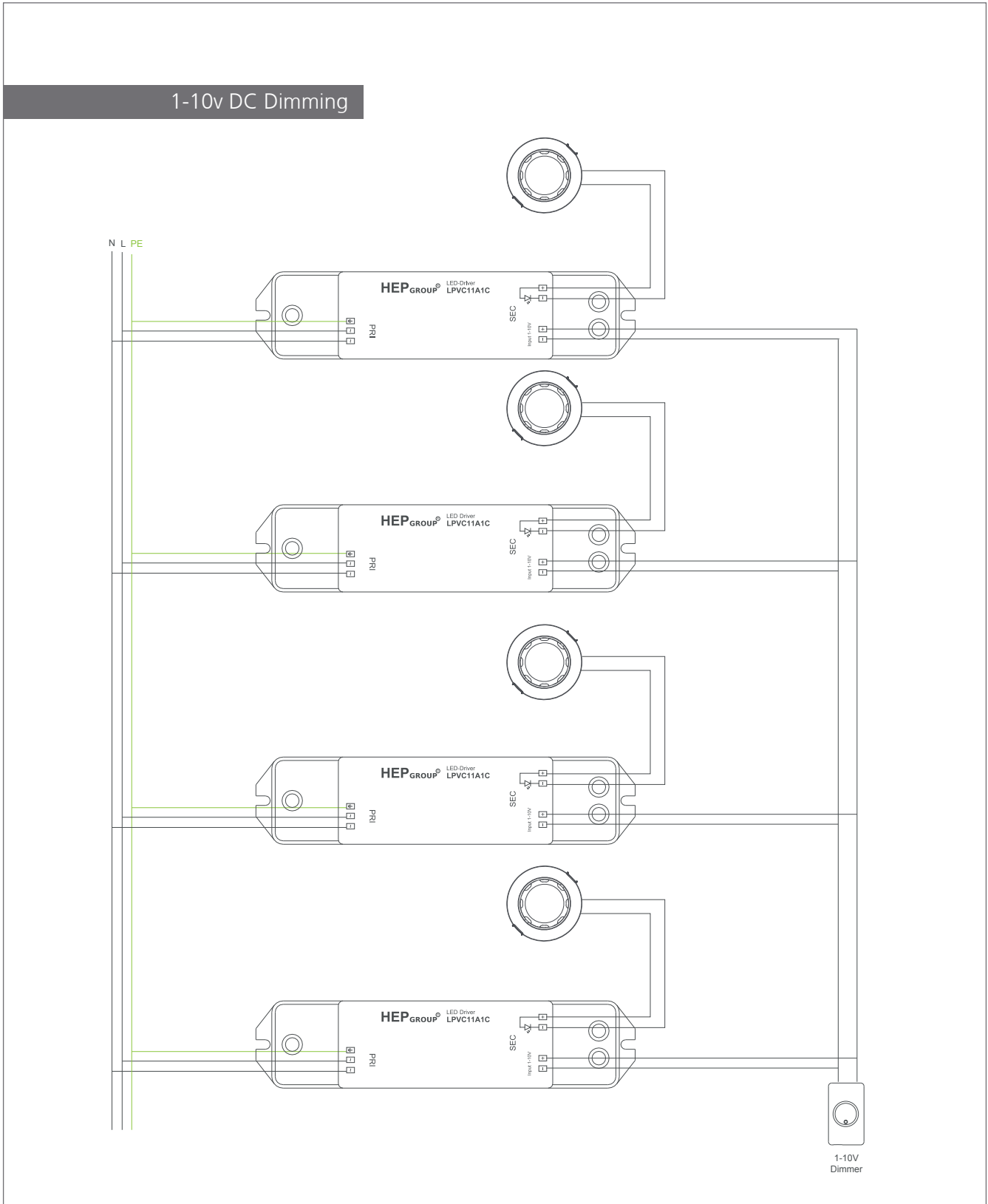
**SeerLED Pty Ltd Australia**

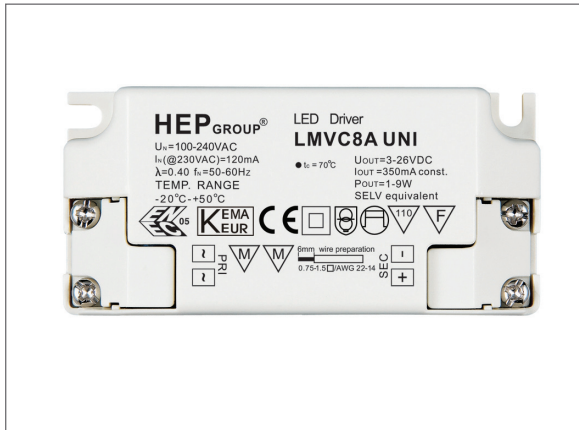
Head Office: PO BOX 3114, Monash Park, NSW, 2111

P: 1800 790 923 E: [sales@seerled.com.au](mailto:sales@seerled.com.au) W: [www.seerled.com.au](http://www.seerled.com.au)



## Wiring Diagram







#### Product Description

- Automatic over voltage protection
- Over current protection
- Short circuit protection
- Push button quick connectors
- Polycarbonate housing

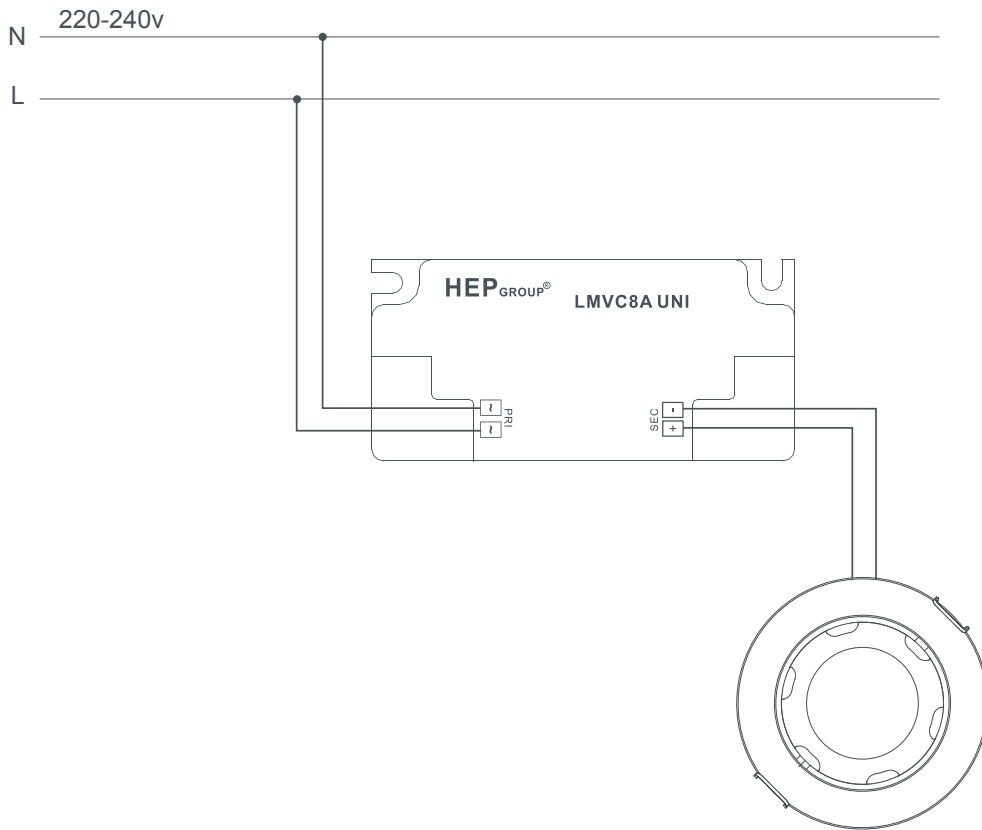
#### Non Dimmable Driver Features

LED Driver Model	LMVC8A
Manufacturer	HEP
Approval Marks	IP20  
Certifications/Standards	EN 61347-1:2001
	EN 61347-2:2006
	EN 62384:2006
Input Voltage AC	AC220-264v
Rated Current	0.12A
Mains Frequency	50 / 60Hz
Output Voltage Range	DC3-26v
Output Current	350mA
Output Power	1-9w
t <sub>a</sub> Operating	-20° - +50°C
Max Case Temperature	70°C
Weight	0.14kg
Dimensions LxWxH	85 x 40.4 x 22mm
Hole Spacing	76mm

*Note: All information regarding this driver has been provided by HEP Group. For more information, or product data visit [www.hepgroup.net](http://www.hepgroup.net)*

## Wiring Diagram

### Non Dimming



### SN0503R Standard Order Table

Model	Colour Temp	Housing Colour	Finish Type
SN0503RWW	Warm White	Silver	Machined/Natural
SN0503RWW-AS	Warm White	Silver	Anodised
SN0503RWW-W	Warm White	White	Powder Coat
SN0503RWW-B	Warm White	Matte Black	Anodised
SN0503RWW-CW	Warm White	China White	Anodised
SN0503RNW	Neutral White	Silver	Machined/Natural
SN0503NNW-AS	Neutral White	Silver	Anodised
SN0503NNW-W	Neutral White	White	Powder Coat
SN0503NNW-B	Neutral White	Matte Black	Anodised
SN0503RNW-CW	Neutral White	China White	Anodised
SN0503RCW	Cool White	Silver	Machined/Natural
SN0503RCW-AS	Cool White	Silver	Anodised
SN0503RCW-W	Cool White	White	Powder Coat
SN0503RCW-B	Cool White	Matte Black	Anodised
SN0503RCW-CW	Cool White	China White	Anodised

### SN0503R Custom Order Table

Model	Colour Temp	Housing Colour	Finish Type
SN0503RWW-CO	Warm White	Custom	Anodised
SN0503RNW-CO	Neutral White	Custom	Anodised
SN0503RCW-CO	Cool White	Custom	Anodised

Note: When ordering custom colour options you will need to provide a Pantone colour reference. This colour must be indicated on the purchase order. Colour matching can be achieved for an additional cost. Please consult with SeerLED sales staff for more information.

### Driver Order Table

Model	Manufacturer	Warranty	Dimming	CBus
LCAI 015/0350 A020 one4all	TRIDONIC	5 yrs	DSI, DALI, SwitchDIM	No
LCCI 015/0350 B020	TRIDONIC	5 yrs	1-10v	Yes
LCI 005/0350 E020	TRIDONIC	5 yrs	No	No
LPVC11A1C	HEP	3 yrs	1-10v	Yes
LMVC8A	HEP	3 yrs	No	No

Before choosing control gear, ensure you understand the different dimming types. LED lighting is considered a digital technology and therefore is not 100% compatible with analogue Triac Dimming controls. SeerLED Pty Ltd recommends 1-10v DC-Dimming at a minimum or DSI / SwitchDIM for the best digital dimming solution.

Note: SeerLED Pty Ltd recommends fitting luminaire and driver in accordance with national / state building regulations and AS/NZ3000 standard.

**SeerLED Pty Ltd Australia**

Head Office: PO BOX 3114, Monash Park, NSW, 2111

P: 1800 790 923 E: sales@seerled.com.au W: www.seerled.com.au